

S-Drain PVC

Injection moulded PVC roof drain

Product Description

The S-Drain PVC is made of rigid high quality PVC by injection moulding procedure.

Uses

The S-Drain PVC is used as rainwater outlet in flat roofs.

Characteristics / Advantages

- Outstanding resistance to weathering, including UV irradiation
 - Outstanding stress-cracking resistance
 - Membrane can be welded directly to the base plate
 - Ease of application
 - Excellent weldability
 - Recyclable
-

Tests**Approvals / Standards**

- Complies with EN 1253
 - Quality management system EN ISO 9001/14001
-

Product Data**Form****Appearance**

Surface: smooth

Colour

Light grey (nearest RAL 7047)

Packaging

Depending on the order quantity and product size, the products are packaged on pallets or in cartons.

Storage**Storage Conditions**

The S-Drain PVC shall be stored in dry conditions.

Shelf-Life

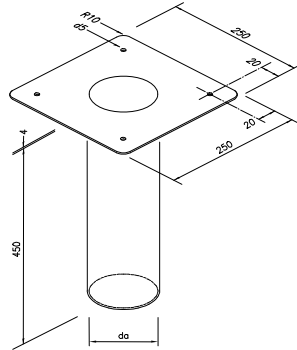
The S-Drain PVC does not expire during correct storage.

Construction

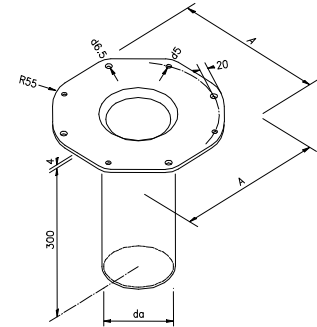




Ø 40 mm and 50 mm



Ø 56 mm - 160 mm



Art. No.	Spigot		Size of base plate	Flow rates EN 1253
	Outside Diameter	Length		
111026	40 mm	450 mm	250 x 250 mm; squared	3.00 l/s
111027	50 mm	450 mm	250 x 250 mm; squared	3.70 l/s
111028	56 mm	300 mm	300 x 300 mm; octagonal	4.55 l/s ¹⁾
111029	63 mm	300 mm	300 x 300 mm; octagonal	4.80 l/s
111030	75 mm	300 mm	300 x 300 mm; octagonal	5.20 l/s
111031	90 mm	300 mm	330 x 330 mm; octagonal	5.60 l/s
111032	95 mm	300 mm	330 x 330 mm; octagonal	5.80 l/s
111033	110 mm	300 mm	330 x 330 mm; octagonal	7.20 l/s
111034	125 mm	300 mm	380 x 380 mm; octagonal	8.20 l/s ¹⁾
111035	140 mm	300 mm	380 x 380 mm; octagonal	10.00 l/s
111036	160 mm	300 mm	380 x 380 mm; octagonal	12.50 l/s

EN 1253: Measured with S- Leafguard (Art. No. 111185) at the LGA Würzburg¹⁾ or internal.
 Depth of water: Until Ø 100 mm: 35 mm, from Ø 110mm: 45 mm

Technical Data

Material Basis Polyvinyl chloride (PVC)

Thickness 4.0 mm

System Information

System Structure

The following accessory is strongly recommended:

- S-Leafguard (Art. no. 111185)

Compatible products:

- Sarnafil® G 410-types

- Sarnafil® G 411-types

- Sarnafil® G 476-types

- Sarnafil® S 327-types

- Sarnafil® S 328-types

- Sikaplan® G / VG / VGWT / S / SG / SGmA

- Sikaplan® SGK (with special connection stripes)

Application Conditions / Limits

Temperature

The use of the S-Drain PVC is limited to geographical locations with average monthly minimum temperatures of -50 °C. Permanent ambient temperature during use is limited to +50 °C.

Installation Instructions

Installation Method

According to the valid installation instructions for Sarnafil® and Sikaplan® roof waterproofing membranes.

The S-Drain PVC needs to be fastened securely to the roof deck.

In case of mechanically fastened roofs the fasteners must be designed to resist to the wind load on the project.

Notes on Installation / Limits

Installation works to be carried out only by Sika instructed contractors for roofing.

Temperature limits for the installation of the S-Drain PVC:

Substrate temperature: -30 °C min. / +60 °C max.

Ambient temperature: -20 °C min. / +60 °C max.

Installation of some ancillary products, e.g. contact adhesives / cleaners is limited to temperatures above +5 °C. Please observe information given by Product Data Sheets.

Special measures may be compulsory for installation below +5 °C ambient temperature due to safety requirements in accordance with national regulations.

Value Base	All technical data stated in this Product Data Sheet are based on laboratory tests. Actual measured data may vary due to circumstances beyond our control.
Ecology, Health and Safety Information	The product does not fall within the EC-regulation of hazardous goods. As a result, a material safety data sheet following EC-Guideline 91/155 EWG is not needed to bring the product to the market, transport or use it. The product does not damage the environment when used as specified.
Protective Measures	Fresh air ventilation must be ensured, when working (welding) in closed rooms. Local safety regulations must be observed.
Transportation Class	The product is not classified as hazardous good for transport.
Disposal	The material is recyclable. Disposal must be according to local regulations. Please contact your local Sika sales organisation for more information.
Important Notification	The information, and, in particular, the recommendations relating to the application and end-use of Sika products, are given in good faith based on Sika's current knowledge and experience of the products when properly stored, handled and applied under normal conditions. In practice, the differences in materials, substrates and actual site conditions are such that no warranty in respect of merchantability or of fitness for a particular purpose, nor any liability arising out of any legal relationship whatsoever, can be inferred either from this information, or from any written recommendations, or from any other advice offered. The proprietary rights of third parties must be observed. All orders are accepted subject to our current terms and conditions of sale. Users should always refer to the most recent issue of the Australian version of the Technical Data Sheet for the product concerned, copies of which will be supplied on request. PLEASE CONSULT OUR TECHNICAL DEPARTMENT FOR FURTHER INFORMATION.



Sika Australia Pty Limited
ABN 12 001 342 329

www.sika.com.au
Tel: 1300 22 33 48