

S-Overflow PVC 63

Injection moulded PVC roof Overflow

Product Description The S-Overflow PVC 63 is made of rigid high quality PVC by injection moulding procedure.

Uses The S-Overflow PVC 63 is used as an emergency overflow through the parapet in flat roofs.

Characteristics / Advantages

- Outstanding resistance to weathering, including UV irradiation
- Outstanding stress-cracking resistance
- Membrane can be welded directly to the base plate
- Ease of application
- Excellent weldability
- Recyclable

Tests

Approvals / Standards

- Quality management system EN ISO 9001/14001

Product Data

Form

Appearance Surface: smooth

Colour Light grey (nearest RAL 7047)

Packaging Depending on the order quantity, the products are packaged on pallets or in cartons.

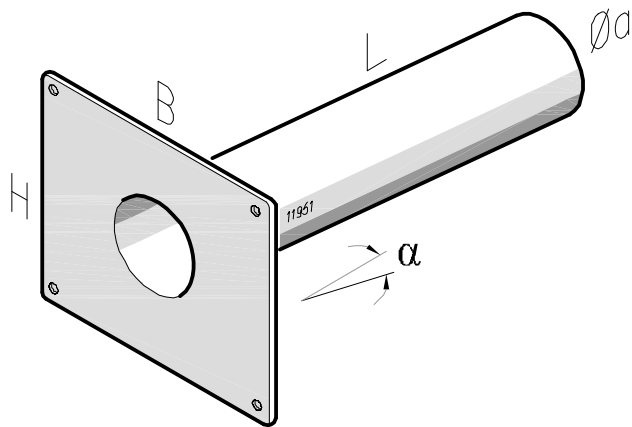
Storage

Storage Conditions The S-Overflow PVC 63 shall be stored in dry conditions.

Shelf-Life The S-Overflow PVC 63 does not expire during correct storage.

Construction





Art. No.	Spigot			Size of base plate H x B	Flow rates	
	Ø outside a	length L	inclination angle α		30 mm	80 mm
111909	63 mm	460 mm	5°	250 mm x 250 mm	1.30 l/s ¹⁾	2.30 l/s ¹⁾

¹⁾ Internal result

Technical Data

Material Basis Polyvinyl chloride (PVC)

Thickness 4.0 mm

System Information

System Structure Compatible products: Sarnafil® G 410-types
Sarnafil® G 411-types
Sarnafil® G 476-types
Sarnafil® S 327-types
Sarnafil® S 328-types
Sikaplan® G / VG / VGWT / S / SG / SGmA / S
Sikaplan® SGK (with special connection stripes)

Application Conditions / Limits

Temperature The use of the S-Overflow PVC 63 is limited to geographical locations with average monthly minimum temperatures of -50 °C.
Permanent ambient temperature during use is limited to +50 °C.

Installation Instruction

Installation Method According to the valid installation instructions for Sarnafil® and Sikaplan®.
The S-Overflow PVC 63 needs to be fastened securely to the roof parapet.

Notes on Installation / Limits Installation works must be carried out only by Sika instructed contractors for roofing.

Temperature limits for the installation of S-Overflow PVC 63:

Substrate temperature: -30 °C min. / +60 °C max.

Ambient temperature: -20 °C min. / +60 °C max.

Installation of some ancillary products, e.g. contact adhesives / cleaners is limited to temperatures above +5 °C. Please observe information given by Product Data Sheets.

Special measures may be compulsory for installation below +5 °C ambient temperature due to safety requirements in accordance with national regulations.

Value Base	All technical data stated in this Product Data Sheet are based on laboratory tests. Actual measured data may vary due to circumstances beyond our control.
Ecology, Health and Safety Information	The product does not fall within the EC-regulation of hazardous goods. As a result, a material safety data sheet following EC-Guideline 91/155 EWG is not needed to bring the product to the market, transport or use it. The product does not damage the environment when used as specified.
Protective Measures	Fresh air ventilation must be ensured, when working (welding) in closed rooms. Local safety regulations must be observed.
Transportation Class	The product is not classified as hazardous good for transport.
Disposal	The material is recyclable. Disposal must be according to local regulations. Please contact your local Sika sales organisation for more information.
Important Notification	The information, and, in particular, the recommendations relating to the application and end-use of Sika products, are given in good faith based on Sika's current knowledge and experience of the products when properly stored, handled and applied under normal conditions. In practice, the differences in materials, substrates and actual site conditions are such that no warranty in respect of merchantability or of fitness for a particular purpose, nor any liability arising out of any legal relationship whatsoever, can be inferred either from this information, or from any written recommendations, or from any other advice offered. The proprietary rights of third parties must be observed. All orders are accepted subject to our current terms and conditions of sale. Users should always refer to the most recent issue of the Australian version of the Technical Data Sheet for the product concerned, copies of which will be supplied on request. PLEASE CONSULT OUR TECHNICAL DEPARTMENT FOR FURTHER INFORMATION.



Sika Australia Pty Limited
ABN 12 001 342 329

www.sika.com.au
Tel: 1300 22 33 48