

# S-Scupper PVC

## Injection moulded PVC roof drain

---

### Product Description

The S-Scupper PVC is made of rigid high quality PVC by injection moulding procedure.

---

### Uses

The S-Scupper PVC is used as rainwater outlet through the parapet in flat roofs.

---

### Characteristics / Advantages

- Outstanding resistance to weathering, including UV irradiation
- Outstanding stress-cracking resistance
- Membrane can be welded directly to the base plate
- Ease of application
- Excellent weldability
- Recyclable

---

### Tests

---

#### Approvals / Standards

- Quality management system EN ISO 9001/14001

---

### Product Data

---

#### Form

---

#### Appearance

Surface: smooth

---

#### Colour

Light grey (nearest RAL 7047)

---

#### Packaging

Depending on the order quantity and product size, the products are packaged on pallets or in cartons.

---

#### Storage

---

#### Storage Conditions

The S-Scupper PVC shall be stored in dry conditions.

---

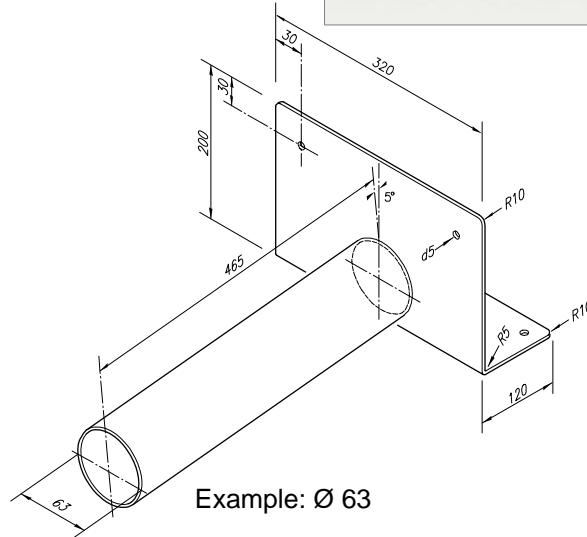
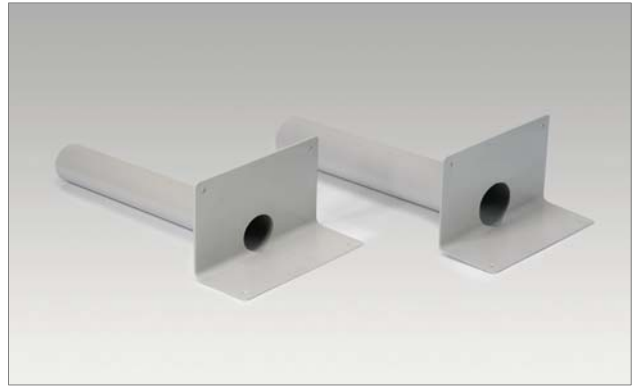
#### Shelf-Life

The S-Scupper PVC does not expire during correct storage.

---

Construction





Art. No.	Spigot			Size of base plate	Flow rates	
	outside diameter	inclination	length		60 mm	100 mm
111965	40 mm	0°	450 mm	250 x 105/145 mm; angled	0.75 l/s <sup>2)</sup>	1.35 l/s <sup>2)</sup>
111966	50 mm	0°	450 mm	250 x 100/150 mm; angled	0.95 l/s <sup>2)</sup>	1.75 l/s <sup>2)</sup>
111967	63 mm	5°	465 mm	320 x 120/200 mm; bent	1.30 l/s <sup>1)</sup>	2.30 l/s <sup>1)</sup>
111968	75 mm	5°	465 mm	320 x 120/200 mm; bent	1.60 l/s <sup>1)</sup>	3.80 l/s <sup>1)</sup>
111969	90 mm	5°	465 mm	320 x 120/200 mm; bent	1.80 l/s <sup>1)</sup>	5.20 l/s <sup>1)</sup>

<sup>1)</sup> Internal result  
<sup>2)</sup> Calculated value

## Technical Data

**Material Basis** Polyvinyl chloride (PVC)

**Thickness** 4.0 mm

---

## System Information

---

<b>System Structure</b>	Compatible products:	<ul style="list-style-type: none"><li>- Sarnafil® G 410 – types</li><li>- Sarnafil® G 411 – types</li><li>- Sarnafil® G 476 – types</li><li>- Sarnafil® S 327 – types</li><li>- Sarnafil® S 328 – types</li><li>- Sikaplan® G / VG / VGWT / S / SG / SGmA</li><li>- Sikaplan® SGK (with special connection stripes)</li></ul>
-------------------------	----------------------	---

---

## Application Conditions / Limits

---

<b>Temperature</b>	The use of the S-Scupper PVC is limited to geographical locations with average monthly minimum temperatures of -50 °C. Permanent ambient temperature during use is limited to +50 °C.
--------------------	--

---

## Installation Instructions

---

<b>Installation Method</b>	According to the valid installation instructions for Sarnafil® and Sikaplan® The S-Scupper PVC needs to be fastened securely to the roof parapet.
----------------------------	--

---

<b>Notes on Installation / Limits</b>	<p>Installation works must be carried out only by Sika instructed contractors for roofing.</p> <p>Temperature limits for the installation of the S-Scupper PVC:</p> <p>Substrate temperature:   -30 °C min. / +60 °C max. Ambient temperature:    -20 °C min. / +60 °C max.</p> <p>Installation of some ancillary products, e.g. contact adhesives / cleaners is limited to temperatures above +5 °C. Please observe information given by Product Data Sheets.</p> <p>Special measures may be compulsory for installation below +5 °C ambient temperature due to safety requirements in accordance with national regulations.</p>
---------------------------------------	---

---

---

<b>Value Base</b>	All technical data stated in this Product Data Sheet are based on laboratory tests. Actual measured data may vary due to circumstances beyond our control.
<b>Ecology, Health and Safety Information</b>	The product does not fall within the EC-regulation of hazardous goods. As a result, a material safety data sheet following EC-Guideline 91/155 EWG is not needed to bring the product to the market, transport or use it. The product does not damage the environment when used as specified.
<b>Protective Measures</b>	Fresh air ventilation must be ensured, when working (welding) in closed rooms. Local safety regulations must be observed.
<b>Transportation Class</b>	The product is not classified as hazardous good for transport.
<b>Disposal</b>	The material is recyclable. Disposal must be according to local regulations. Please contact your local Sika sales organisation for more information.
<b>Important Notification</b>	The information, and, in particular, the recommendations relating to the application and end-use of Sika products, are given in good faith based on Sika's current knowledge and experience of the products when properly stored, handled and applied under normal conditions. In practice, the differences in materials, substrates and actual site conditions are such that no warranty in respect of merchantability or of fitness for a particular purpose, nor any liability arising out of any legal relationship whatsoever, can be inferred either from this information, or from any written recommendations, or from any other advice offered. The proprietary rights of third parties must be observed. All orders are accepted subject to our current terms and conditions of sale. Users should always refer to the most recent issue of the Australian version of the Technical Data Sheet for the product concerned, copies of which will be supplied on request. PLEASE CONSULT OUR TECHNICAL DEPARTMENT FOR FURTHER INFORMATION.

---



**Sika Australia Pty Limited**  
ABN 12 001 342 329

**www.sika.com.au**  
Tel: 1300 22 33 48